

Double-Clamp Series

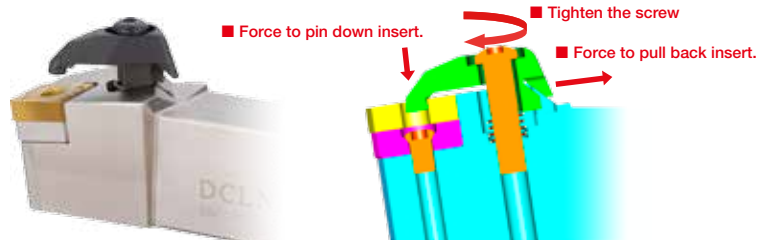
Securely clamps the insert with a single action

- ◆ Increases clamping rigidity
- ◆ Improves machining stability
- ◆ Results in greater insert life



■ Improved Clamping Rigidity

Firmly clamp the insert in two directions with one action



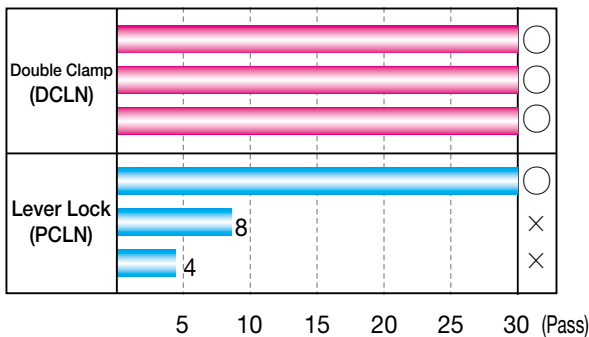
Double-Clamp Series

Product Lineup

Application	External / Facing		External / Facing / Copying	External / Facing / Copying / Undercutting	External / Copying			External	
Cutting Edge Angle	95°		107.5°	117.5°	72.5°	93°	95°	75°	91°
Double Clamp									
	DCLN	DWLN	DDHN	DVPN	DVVN	DDJN	DVLN	DSBN	DTGN

Long Insert Life

The double-clamp design firmly clamps the insert in two directions, which maintains good contact between the shim and the insert even during high feed rate machining. Along with improving the accuracy of the insert position, greater insert life is attained.



<Cutting Conditions>
 4135, Vc=500 sfm, ap=0.04", f=0.016 ipr
 CNMG432PS, 30 pass interrupted machining

Comparison of shim and insert contact

Coating material is applied to the shim side of the insert, which is installed on the tool holder. Compare the shim contact surface after tightening.

PS Chipbreaker	Shim contact surface of double clamp holder	Shim contact surface of lever lock
	The shape of the insert breaker is transferred indicating a high level of contact.	Only a part of the shape of the insert breaker is transferred indicating a low level of contact.

Convenient Marking Design

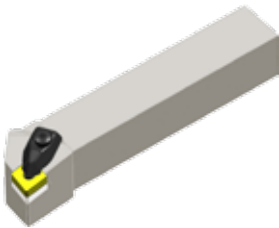
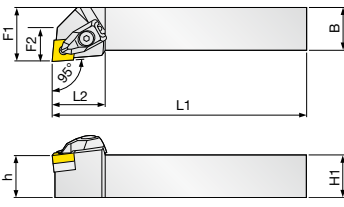
















The spare part descriptions and the screw tightening torque are conveniently located on the toolholder body.

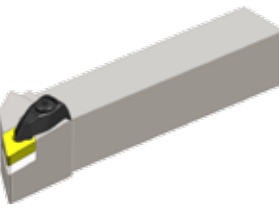
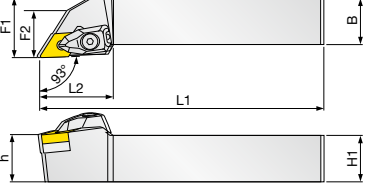





















Screw	Tightening Torque (N·m)
CS-2D	1.7
CS-3D	3.9
CS-5D	3.0

■ Toolholder Lineup

◆ DCLN (External / Facing)

			Side Rake Angle:-6° Inclination Angle:-6°														
	·Right-hand Shown		· Applicable Insert														
<table border="1"> <thead> <tr> <th>Holder Description</th> <th>Insert Description</th> </tr> </thead> <tbody> <tr> <td>DCLN^{R/L}...4 DCLN^{R/L}...-12</td> <td> CN ○ A CN ○ G CNMM </td> </tr> <tr> <td></td> <td>43..</td> </tr> </tbody> </table>		Holder Description	Insert Description	DCLN^{R/L}...4 DCLN^{R/L}...-12	CN ○ A CN ○ G CNMM		43..										
Holder Description	Insert Description																
DCLN^{R/L}...4 DCLN^{R/L}...-12	CN ○ A CN ○ G CNMM																
	43..																
Description	Stock		Unit	Dimension						Std. Corner-R(°)	Spare Parts						
	R	L		Hf-h	B	L1	L2	F1	F2		Clamp	Screw	Spring	Shim	Shim Screw	Wrench	Wrench(Optional)
DCLN^{R/L} 124B	●	●	inch	0.75	0.75	4.50	1.30	1.00	0.80	1/32							
164D	●	●	inch	1.00	1.00	6.00	1.26	1.25	0.78		CP-3D	CS-3D	SP-3D	DC-44	SB-4085TR	LW-3	FT-15
DCLN^{R/L} 2020K-12	○	○	mm	20	20	125	33	25	20	0.8							
2525M-12	○	○	mm	25	25	150		32									

◆ DDJN (External / Copying)

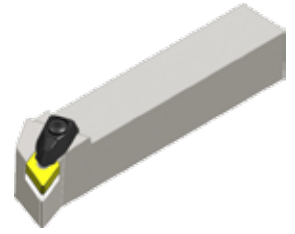
			Side Rake Angle:-6° Inclination Angle:-7°														
	·Right-hand Shown		· Applicable Insert														
<table border="1"> <thead> <tr> <th>Holder Description</th> <th>Insert Description</th> </tr> </thead> <tbody> <tr> <td>DDJN^{R/L}...4 DDJN^{R/L}...-1504</td> <td> DN ○ A DN ○ G DNMM </td> </tr> <tr> <td>DDJN^{R/L}...-1506</td> <td></td> </tr> <tr> <td></td> <td>43.. (44..)</td> </tr> <tr> <td></td> <td>44.. (43..)</td> </tr> </tbody> </table>		Holder Description	Insert Description	DDJN^{R/L}...4 DDJN^{R/L}...-1504	DN ○ A DN ○ G DNMM	DDJN^{R/L}...-1506			43.. (44..)		44.. (43..)						
Holder Description	Insert Description																
DDJN^{R/L}...4 DDJN^{R/L}...-1504	DN ○ A DN ○ G DNMM																
DDJN^{R/L}...-1506																	
	43.. (44..)																
	44.. (43..)																
Description	Stock		Unit	Dimension						Std. Corner-R(°)	Spare Parts						
	R	L		Hf-h	B	L1	L2	F1	F2		Clamp	Screw	Spring	Shim	Shim Screw	Wrench	Wrench(Optional)
DDJN^{R/L} 124B	●	●	inch	0.75	0.75	4.50	1.54	1.00	-	1/32							
164D	●	●	inch	1.00	1.00	6.00	1.54	1.25	0.97		CP-3D	CS-3D	SP-3D	DD-44 (DD-43)	SB-4085TR	LW-3	FT-15
DDJN^{R/L} 2020K-1504	○	○	mm	20	20	125	39	25	-	0.8							
2525M-1504	○	○	mm	25	25	150		32									
DDJN^{R/L} 2020K-1506	○	○	mm	20	20	125	39	25	-	0.8							
2525M-1506	○	○	mm	25	25	150		32									

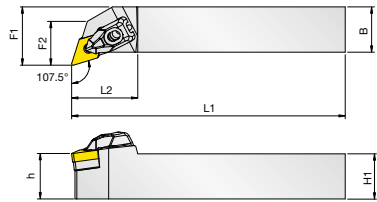
The shims inside () do not come with the holders. In the case of changing the insert thickness size, please purchase the corresponding shim separately.

●: Standard Stock
○: World Express

Toolholder Lineup

◆ DDHN (External / Facing / Copying)





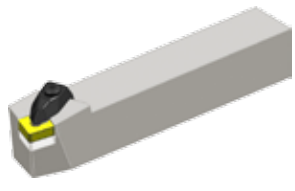
·Right-hand Shown

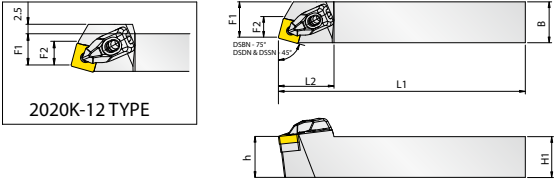
Side Rake Angle:-6°
Inclination Angle:-6°

· Applicable Insert

Holder Description	Insert Description	
DDHN^{R/L}...-1504	DN ○ A DN ○ G	43.. (44..)
DDHN^{R/L}...-1506	DNMM	44.. (43..)

◆ DSBN (External)





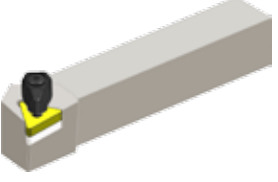
·Right-hand Shown

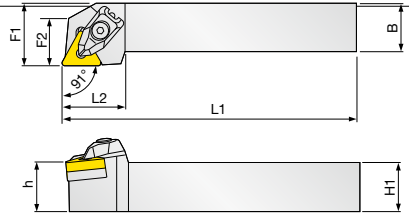
Side Rake Angle:-6°
Inclination Angle:-6°

· Applicable Insert

Holder Description	Insert Description	
DSBN^{R/L}...-12	SN ○ A SN ○ G SNMM	43..

◆ DTGN (External)












·Right-hand Shown

Side Rake Angle:-6°
Inclination Angle:-6°

· Applicable Insert

Holder Description	Insert Description	
DTGN^{R/L}...-16	TN ○ A TN ○ G TNMM	33..

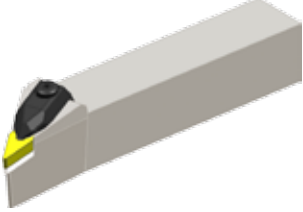
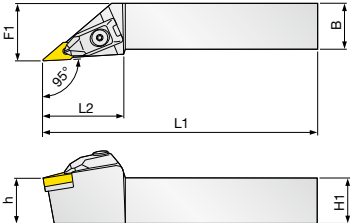
Description	Stock		Dimension (mm)						Std. Corner-R(°)	Spare Parts						
	R	L	H1-h	B	L1	L2	F1	F2		Clamp	Screw	Spring	Shim	Shim Screw	Wrench	Wrench(Optional)
																
DDHN^{R/L} 2020K-1504	○	○	20	20	125	37	25	22	0.8	CP-3D	CS-3D	SP-3D	DD-44 (DD-43)	SB-4085TR	LW-3	FT-15
	○	○	25	25	150		32						DD-43 (DD-44)			
DDHN^{R/L} 2020K-1506	○	○	20	20	125	34	25	13	0.8	CP-3D	CS-3D	SP-3D	DS-44	SB-4085TR	LW-3	FT-15
	○	○	25	25	150		22						DT-32			
DTGN^{R/L} 2020K-16	○	○	20	20	125	25	25	20	0.8	CP-2D	CS-2D	SP-2D	DT-32	SB-3080TR	LW-2.5	FT-10
	○	○	25	25	150		32									

The shims inside () do not come with the holders. In the case of changing the insert thickness size, please purchase the corresponding shim separately.

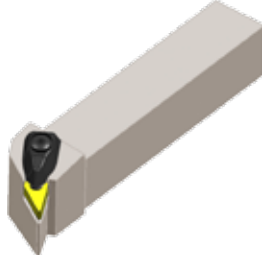
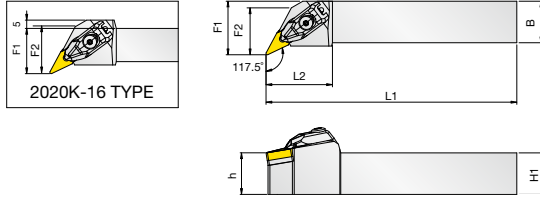
●: Standard Stock
○: World Express

■ Toolholder Lineup

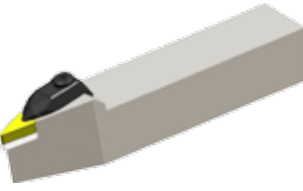
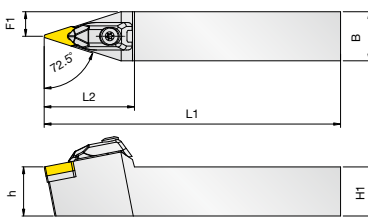
◆DVJN/DVLN (External / Copying)








		Side Rake Angle:-6° Inclination Angle:-9°	
		· Applicable Insert	
		Holder Description	Insert Description
		DVJN ^R /L...3 DVLN ^R /L...-16	VN ○ A VN ○ G
			33..

◆DVPN (External / Facing / Copying / Undercutting)

		Side Rake Angle:-13° Inclination Angle:-10°	
		· Applicable Insert	
		Holder Description	Insert Description
		DVPN ^R /L...3 DVPN ^R /L...-16	VN ○ A VN ○ G
			33..

◆DVN (External / Copying)

		Back Rake Angle:-11°	
		· Applicable Insert	
		Holder Description	Insert Description
		DVN...3 DVNN ...-16	VN ○ A VN ○ G
			33..

Description	Stock			Unit	Dimension						Std.Corner-R(℞)	Spare Parts						
	R	N	L		H1-h	B	L1	L2	F1	F2		Clamp	Screw	Spring	Shim	Shim Screw	Wrench	Wrench(Optional)
																		
DVJN ^R /L 123B	●		●	inch	0.750	0.750	4.50	1.77	1.00	-	1/32	CP-5D	CS-5D	SP-5D	DV-33	SB-4085TR	LW-3	FT-15
163B	●		●	inch	1.000	1.000	6.00	1.77	1.25	-	1/32	CP-5D	CS-5D	SP-5D	DV-33	SB-4085TR	LW-3	FT-15
DVPN ^R /L 123B	●		●	inch	0.750	0.750	4.50	1.58	1.00	1.10	1/32	CP-5D	CS-5D	SP-5D	DV-33	SB-4085TR	LW-3	FT-15
163D	●		●	inch	1.000	1.000	6.00	1.58	1.25	1.10	1/32	CP-5D	CS-5D	SP-5D	DV-33	SB-4085TR	LW-3	FT-15
DVNN 123B		●		inch	.750	.750	4.50	1.81	0.40	-	1/32	CP-5D	CS-5D	SP-5D	DV-33	SB-4085TR	LW-3	FT-15
163D		●		inch	1.000	1.000	6.00	1.81	0.52	-	1/32	CP-5D	CS-5D	SP-5D	DV-33	SB-4085TR	LW-3	FT-15
DVLN ^R /L 2020K-16	○		○	mm	20	20	125	45	25	-	0.8	CP-5D	CS-5D	SP-5D	DV-33	SB-4085TR	LW-3	FT-15
2525M-16	○		○	mm	25	25	150	45	32	-	0.8	CP-5D	CS-5D	SP-5D	DV-33	SB-4085TR	LW-3	FT-15
DVPN ^R /L 2020K-16	○		○	mm	20	20	125	40	27	28	0.8	CP-5D	CS-5D	SP-5D	DV-33	SB-4085TR	LW-3	FT-15
2525M-16	○		○	mm	25	25	150	40	32	28	0.8	CP-5D	CS-5D	SP-5D	DV-33	SB-4085TR	LW-3	FT-15
DVNN 2020K-16		○		mm	20	20	125	46	10	-	0.8	CP-5D	CS-5D	SP-5D	DV-33	SB-4085TR	LW-3	FT-15
2525M-16		○		mm	25	25	150	46	12.5	-	0.8	CP-5D	CS-5D	SP-5D	DV-33	SB-4085TR	LW-3	FT-15

●: Standard Stock
○: World Express

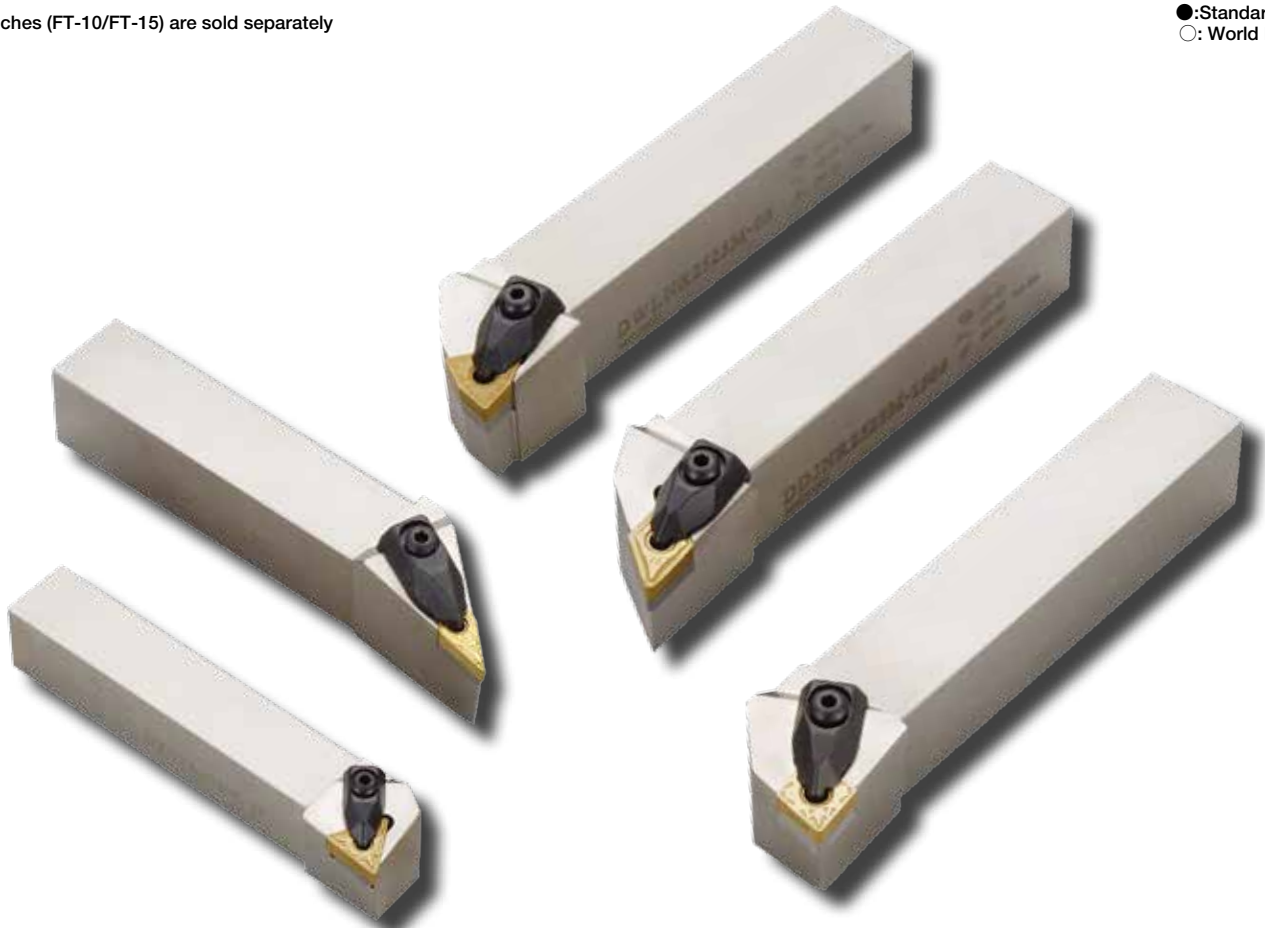
■ Toolholder Lineup

◆DWLN (External / Facing)

			Side Rake Angle:-6° Inclination Angle:-6°														
	·Right-hand Shown		· Applicable Insert														
<table border="1"> <thead> <tr> <th>Holder Description</th> <th colspan="2">Insert Description</th> </tr> </thead> <tbody> <tr> <td>DWLN^{R/L}...3</td> <td rowspan="2"> WN ○ A WN ○ G </td> <td>33..</td> </tr> <tr> <td>DWLN^{R/L}...4 DWLN^{R/L}...-08</td> <td>33..</td> </tr> </tbody> </table>		Holder Description	Insert Description		DWLN ^{R/L} ...3	WN ○ A WN ○ G	33..	DWLN ^{R/L} ...4 DWLN ^{R/L} ...-08	33..								
Holder Description	Insert Description																
DWLN ^{R/L} ...3	WN ○ A WN ○ G	33..															
DWLN ^{R/L} ...4 DWLN ^{R/L} ...-08		33..															
Description	Stock		Unit	Dimension						Std. Corner-R(°)	Spare Parts						
	R	L		H1-h	B	L1	L2	F1	F2		Clamp	Screw	Spring	Shim	Shim Screw	Wrench	Wrench(Optional)
DWLN ^{R/L} 123B	●	●	inch	0.750	0.750	4.50	1.06	1.00	0.80	1/32							
124B	●	●	inch	0.750	0.750	4.50	1.34	1.25	0.80								
163D	●	●	inch	1.000	1.000	6.00	1.06	1.25	0.78								
164D	●	●	inch	1.000	1.000	6.00	1.34	1.25	0.78								
DWLN ^{R/L} 2020K-08	○	○	mm	20	20	125	34	25	20	0.8							
2525M-08	○	○	mm	25	25	150	32	20									

Shim wrenches (FT-10/FT-15) are sold separately

●: Standard Stock
○: World Express



Other Cutting Tool Products from



Drilling

THE NEW VALUE FRONTIER
KYOCERA

Drilling

- Magic Drills
- Holeshot Drills
- Coremaster Drills
- Stinger Drills
- Counterbores
- Countersinks

- Drilling Diameters from 0.394" to 4"
- Drilling Depths up to 5xD
- Wide variety of grade offerings for:
 - Steel
 - Stainless Steel
 - Cast Iron
 - Non-Ferrous Materials

ADVANCING PRODUCTIVITY

Milling

THE NEW VALUE FRONTIER
KYOCERA

M-Series Milling

MEC Ultra Hurricane Endmills & Facemills
MECX Ultra Hurricane Fine-Finish Endmills & Facemills
MECH Medical Endmills
MEY Ultra Drill Mills
MSR Heavy Roughing Cutters
MSRS Heavy Roughing Facemills

ADVANCING PRODUCTIVITY

THE NEW VALUE FRONTIER
KYOCERA

Milling

OTM Milling Product Lineup

- End Mills
- Face Mills
- Chamber Mills
- Custom Milling (CMM)

ADVANCING PRODUCTIVITY

THE NEW VALUE FRONTIER
KYOCERA

MFPN

High-Efficiency Facemill
Low cutting force and excellent fracture resistance
Discover the Advantages of the BIG 5 Pentagon Inserts and MEGACOAT Grades PR1225 and PR1210!

ADVANCING PRODUCTIVITY

Swiss

THE NEW VALUE FRONTIER
KYOCERA

Double-Sided Swiss Tools

- Double-sided negative insert increases productivity and stability
- Sharp cutting edge equivalent to positive insert edge
- Two new PVD Coated grades:
 - PR1005 for Titanium and free cutting steel
 - PR1025 for Stainless Steel and general use

ADVANCING PRODUCTIVITY

THE NEW VALUE FRONTIER
KYOCERA

SIGE Internal Grooving

- Special back angle insert provides superior performance
- High performance PVD Coated Grades for Superior Chip Control
- High speed performance with excellent chip control in high speed
- Wide variety of grades and geometries for the toughest applications

ADVANCING PRODUCTIVITY

THE NEW VALUE FRONTIER
KYOCERA

KTKF For Swiss Machining

Back Turning, Threading, and Cut-off Tools

- Grade PR1025 - Fracture and wear resistant PVD Coated Carbide for general purpose
- Grade KW10 - Uncoated Carbide for aluminum, brass, and other non-ferrous materials
- KTKF is available for sub-round cutters with two sub-rounds symmetrical

Backturning TKFB type
Threading TKFT type
Cut-off TKF type

ADVANCING PRODUCTIVITY

Turning

THE NEW VALUE FRONTIER
KYOCERA

Ceramics

Featuring:

- MEGACOAT PT600M
- A6S
- A66N
- CF1
- KS6000

ADVANCING PRODUCTIVITY

THE NEW VALUE FRONTIER
KYOCERA

for Gray and Nodular Cast Iron
New Bright Black (BB) Coating Technology

CA4515 / CA4505

New CVD Coated Carbide

- New CVD Coated Carbide for Gray and Nodular Cast Iron
- New Bright Black (BB) Coating Technology
- Improved coating adhesion due to the new BB coating technology. Results in longer and more consistent tool life.

ADVANCING PRODUCTIVITY

THE NEW VALUE FRONTIER
KYOCERA

CA55 Series

CVD Coated Carbide Grades for Steel

- CA5505
- CA5515
- CA5525
- CA5535

Featuring the PH & PK Chipbreakers for Heavy Machining

ADVANCING PRODUCTIVITY

THE NEW VALUE FRONTIER
KYOCERA

CA65^{15/25} and PR11²⁵

for Stainless Steel Machining

New! MQ Chipbreaker

Innovative solutions for Stainless Steel Machining

ADVANCING PRODUCTIVITY

THE NEW VALUE FRONTIER



Kyocera Industrial Ceramics Corp.

Cutting Tool Division

100 Industrial Park Rd

Mountain Home, NC 28758

PH: 800-823-7284

FAX: 828-692-1344

kyoceracuttingtools@kyocera.com

www.kyocera.com/cuttingtools

KYOCERA Corporation

Cutting Tool Division

6 Takeda Tobadono-cho

Fushimi-ku, Kyoto Japan

ph: 075-604-3473

www.global.kyocera.com

ADVANCING PRODUCTIVITY